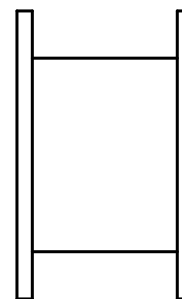
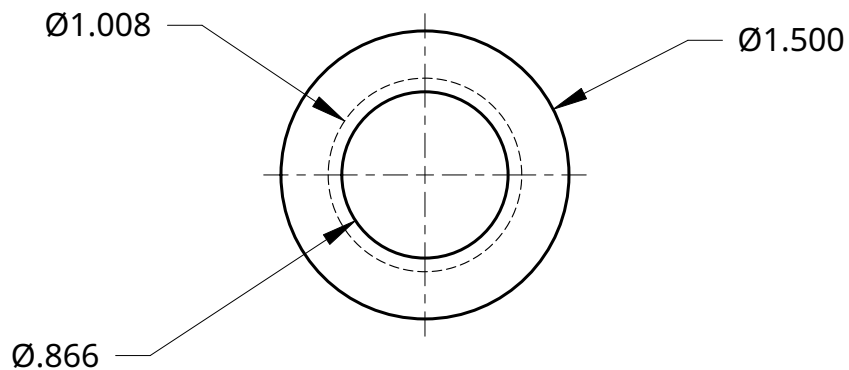
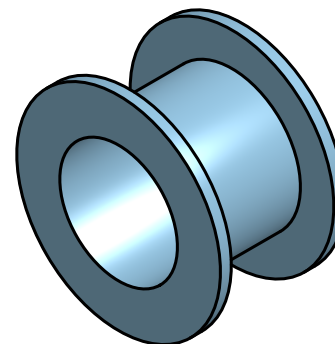
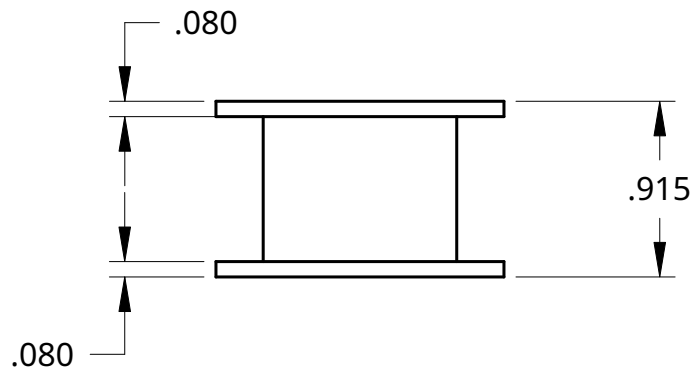


2

1



Two Pieces Required

UNLESS OTHERWISE SPECIFIED, DIMENSIONS ARE IN INCHES

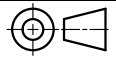
.XX = ±.0-
.XXX = ±.00-
.XXXX = ±.000-
ANGULAR = ± °
FRACTIONAL = ±

SURFACE FINISH

DO NOT SCALE DRAWING

BREAK ALL SHARP EDGES AND REMOVE BURRS

THIRD ANGLE PROJECTION



	NAME	DATE
DRAWN	ROMAN VANDER ZWART	02/12/2024
CHECKED		
APPROVED		
MATERIAL	FINISH	

TITLE		
Filament Holder - Bearing Spool		
SIZE	DWG NO.	REV.
A	92129	
SCALE	WEIGHT	SHEET
1:1		1 of 1

2

1

B

B

A