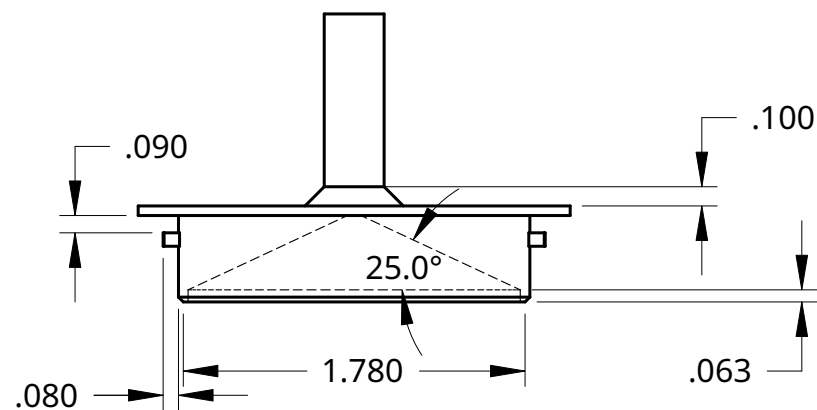
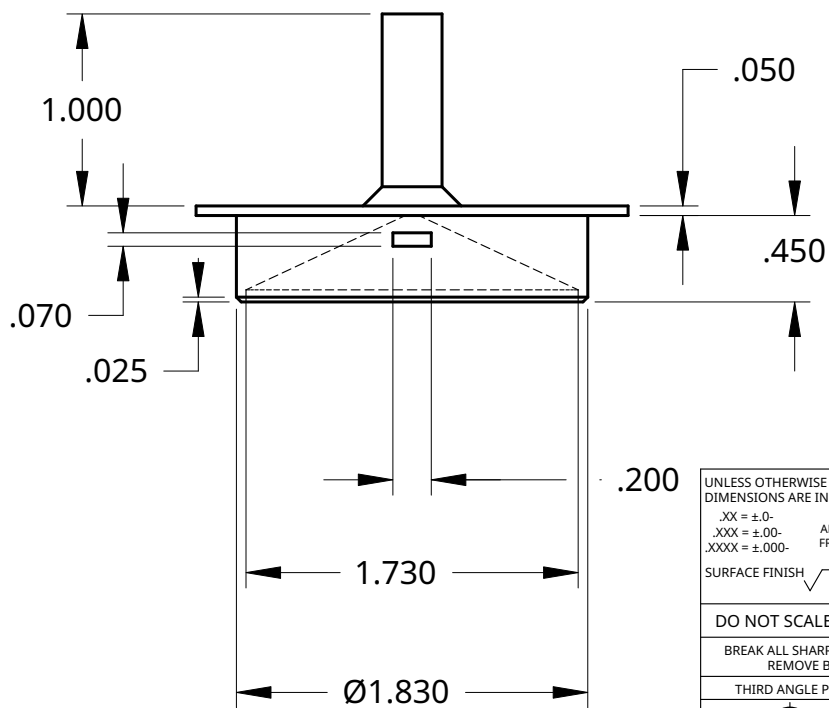
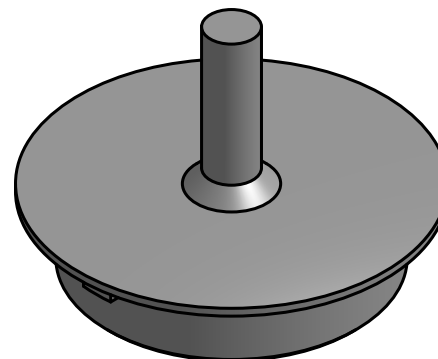
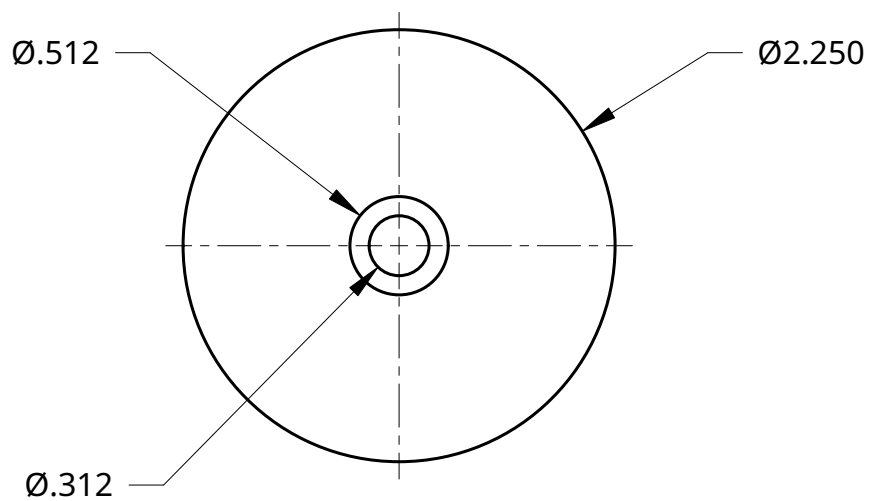


2

1



UNLESS OTHERWISE SPECIFIED,
DIMENSIONS ARE IN INCHES

.XX = ±.0-
.XXX = ±.00-
.XXXX = ±.000-

ANGULAR = ± °
FRACTIONAL = ±

SURFACE FINISH

DO NOT SCALE DRAWING

BREAK ALL SHARP EDGES AND
REMOVE BURRS

THIRD ANGLE PROJECTION

	NAME	DATE
DRAWN	ROMAN VANDER ZWART	02/13/2024
CHECKED		
APPROVED		
MATERIAL	FINISH	

TITLE			
Filament Holder Reel Insert - Part 2			
SIZE	DWG. NO.	REV.	
A	92130		
SCALE	WEIGHT	SHEET	
1:1		1 of 1	

2

1