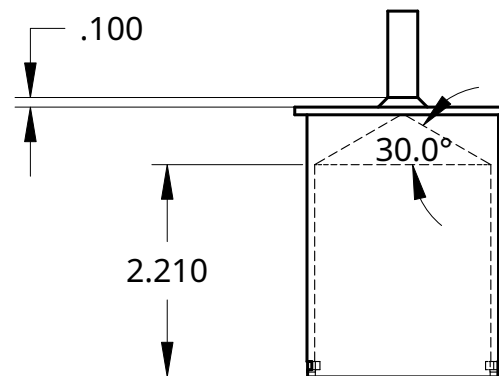
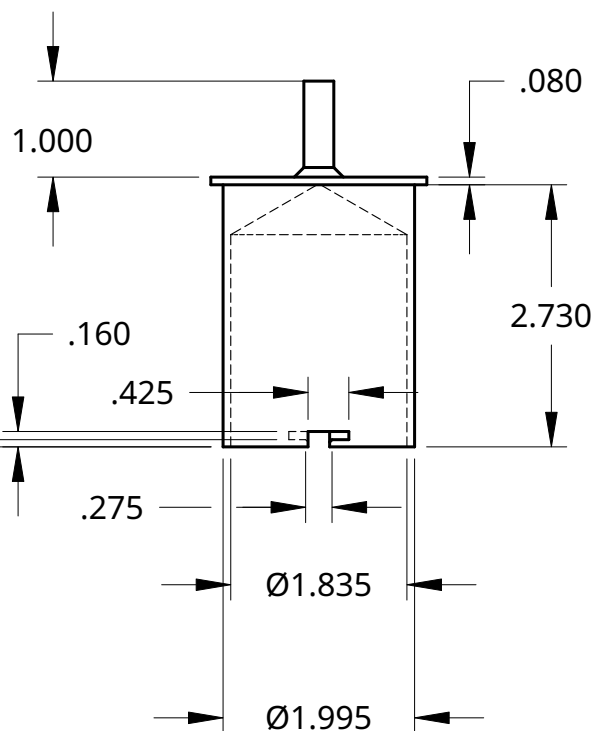
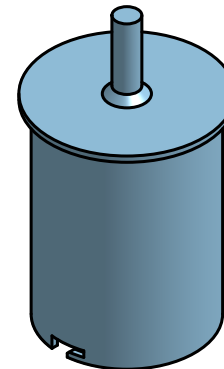
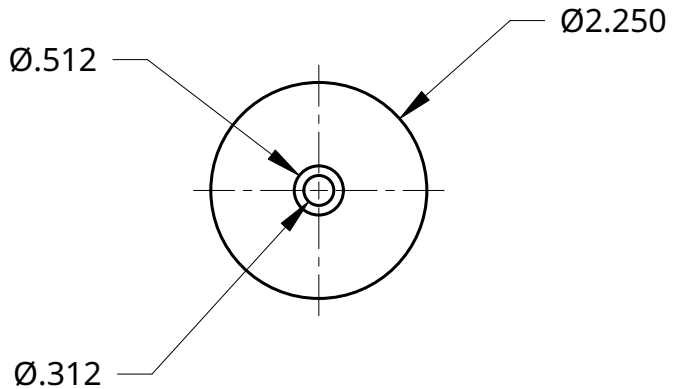


2

1



UNLESS OTHERWISE SPECIFIED,
DIMENSIONS ARE IN INCHES

.XX = ±.0-
.XXX = ±.00-
.XXXX = ±.000-

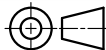
ANGULAR = ± °
FRACTIONAL = ±

SURFACE FINISH

DO NOT SCALE DRAWING

BREAK ALL SHARP EDGES AND
REMOVE BURRS

THIRD ANGLE PROJECTION



	NAME	DATE
DRAWN	ROMAN VANDER ZWART	02/12/2024
CHECKED		
APPROVED		

MATERIAL	FINISH

TITLE		Filament Holder Reel Insert - Part 1	
SIZE	DWG NO.	REV.	
A	92128		
SCALE	WEIGHT	SHEET	1 of 1
1:2			

2

1

B

B

A

A