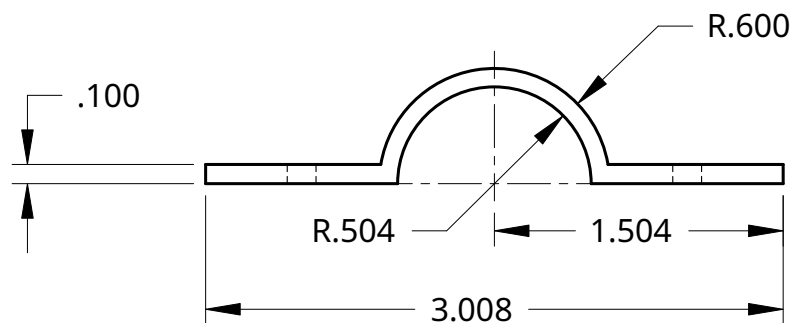
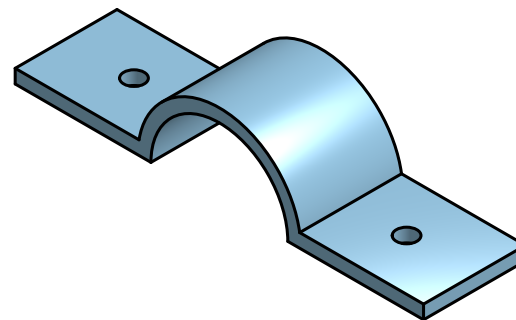
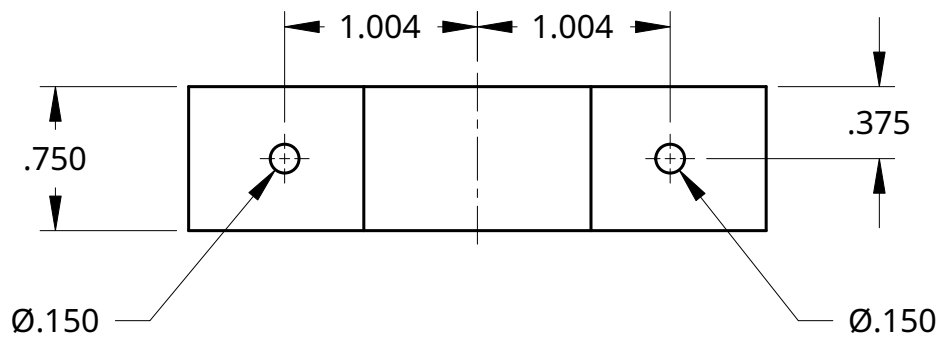


2

1



Two Pieces Required

UNLESS OTHERWISE SPECIFIED, DIMENSIONS ARE IN INCHES .XX = ±.0- .XXX = ±.00- .XXXX = ±.000- SURFACE FINISH		NAME	DATE	TITLE Filament Holder - Bracket	
DO NOT SCALE DRAWING	DRAWN	ROMAN VANDER ZWART	02/12/2024		
BREAK ALL SHARP EDGES AND REMOVE BURRS	CHECKED				
THIRD ANGLE PROJECTION	APPROVED				
	MATERIAL	FINISH		SIZE A	92127
				SCALE 1:1	

2

B

A